

Guided Bone Regeneration

GBR System

Dentium
For Dentists By Dentists

Dentium
For Dentists By Dentists



Contents

GBR System	04
GBR Abutment	05
GBR Plate	06
Membrane Pin & Screw	07
Instrument	08
GBR Kit	09
Surgical Manual - GBR Plate	11

GBR System

Guided Bone Regeneration

- Provides GBR technique with better conveniences
- Auto bone harvest and the final drilling can be achieved in one step
- Multi-function membrane screw for membrane fixation or abutment/plate fixation

GBR Abutment

- Complete compatibility with the SuperLine Fixtures
- Compatible with Tightening Tool : Screw Abutment Hex (3.2 hex)

GBR Plate

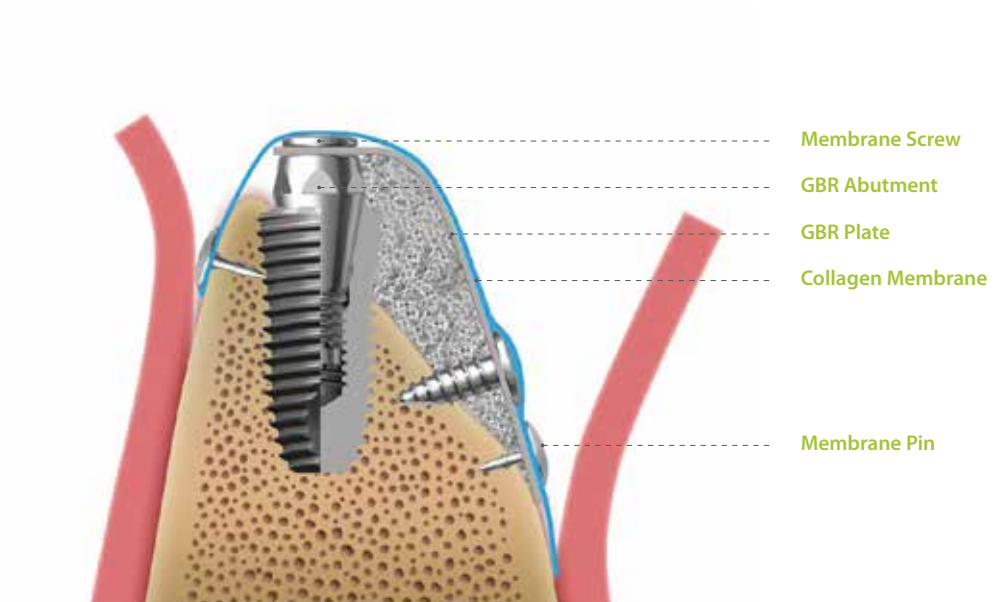
- Easy to Support membrane to make space for bone graft material
- Easy to bend or cut
- Layerable (up to 3 plates)

Membrane Screw

- Multi-function membrane screw for membrane fixation or abutment/plate fixation

Membrane Pin

- Membrane pin for membrane fixation or plate fixation



GBR Abutment

[Unit: mm, Scale 1 : 1.5 / mm]



GAB3520 and FX4510SW



GBR Abutment

G/H	Art. No.
2.0	GAB 35 20



GBR Plate

[Unit: mm]

Plate (Straight) [Scale 1 : 1.5 / mm]

Type	L	T	Art. No.
Straight	18	0.3	GBP 1804 S
Straight	28	0.3	GBP 2806 S

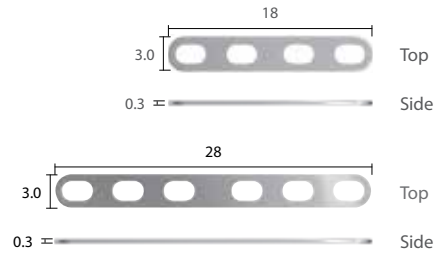


Plate (Tripod-Groove) [Scale 1 : 1 / mm]

Type	L	T	Art. No.
Tripod-Groove	21	0.3	GBP 2113 T

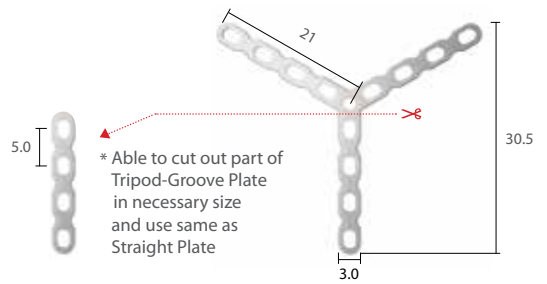


Plate (Matrix) [Scale 1 : 1 / mm]

Type	L	T	Art. No.
Matrix	44	0.3	GBP 4499 T

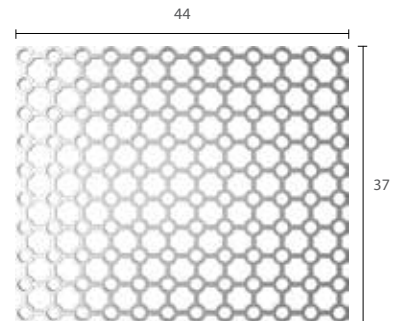
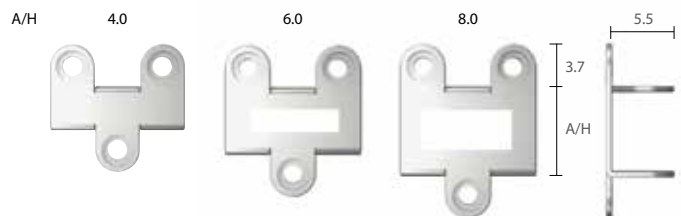


Plate (Mandibular Total Osteotomy) [Scale 1 : 1.5 / mm]

Augmentation Height (A/H)	Art. No.
4.0	GBP 4037 M
6.0	GBP 6037 M
8.0	GBP 8037 M

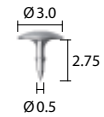


Membrane Pin

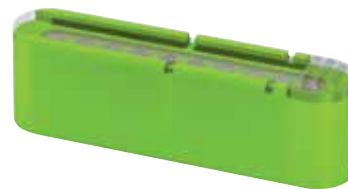
[Unit: mm, Scale 1 : 2 / mm]

Pin

L	Art. No.
2.75	GMT 2525 C



Pin case | Pin 10ea included

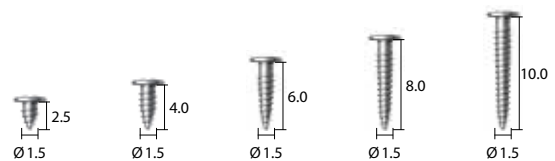


Membrane Screw

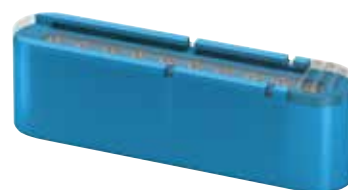
[Unit: mm, Scale 1 : 1.5 / mm]

Screw

L	Art. No.
2.5	GSC 15 02
4.0	GSC 15 04
- Be able to used with GBR Abutment	
6.0	GSC 15 06
8.0	GSC 15 08
10.0	GSC 15 10



Screw case | Screw 10ea included

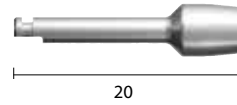


Instrument

[Unit: mm, Scale 1 : 1.5 / mm]

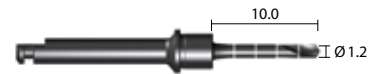
Adapter For screw, ball and GBR abutment

Type	Art. No.
Hand-piece	XMAA1
Torque Wrench	XMA 21W



Screw Drill

Diameter	Art. No.
Ø1.2	GMD 1228



Screw / Membrane pin insertion tool

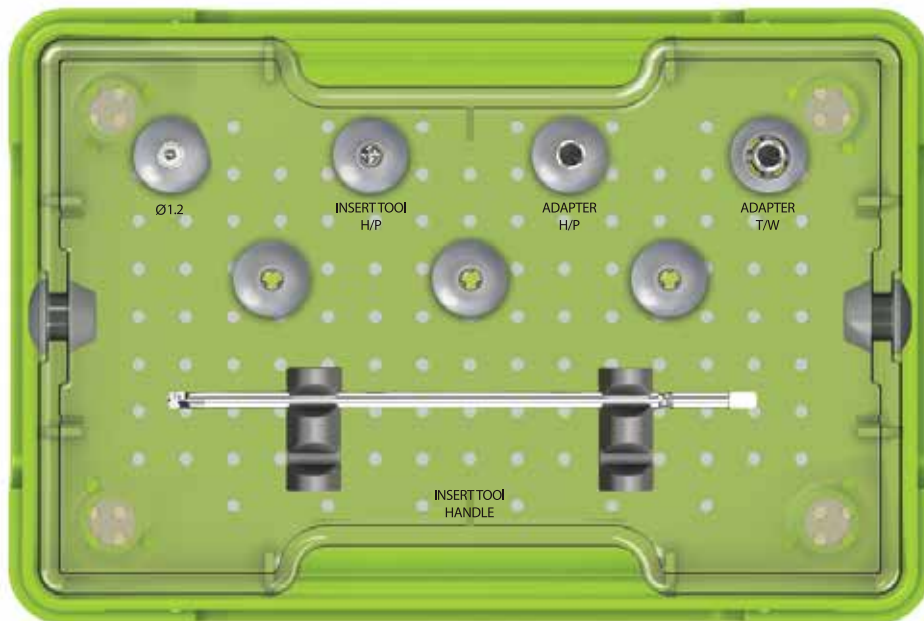
[Unit: mm, Scale 1 : 0.7 / mm]

Art. No.
GST26H
GST56
GST85
COD

GST **26H**GST **56**GST **85**






COD

GBR Kit



GBRK

Kit Contents

· Screw drill		GMD 1228
· Hand Piece Insertion Tool		GST 26 H
· Hand-piece adapter		XMAA1
· Torque Wrench adapter		XMA 21 W
· Screw / Membrane pin insertion tool		GST 85

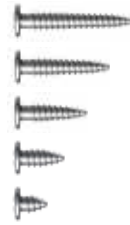
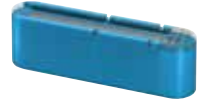
Additional item

• Membrane pin case



GMT 25 25 C x 10

• Membrane screw case



GSC 15 10

GSC 15 08

GSC 15 06

GSC 15 04

GSC 15 02

x 10

• GBR Plate



GBP 1104 S

GBP 40 37 M

GBP 60 37 M

GBP 80 37 M



GBP 2806 S



GBP 2113 T



GBP 4499 T

• Harvest drill



XFH 34 35



XFH 43 35

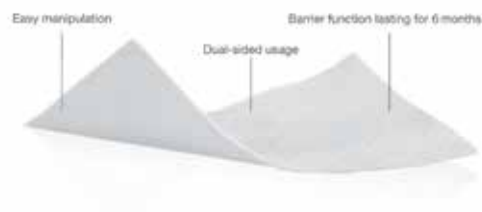


XFH 38 35



XFH 48 35

• Collagen Membrane

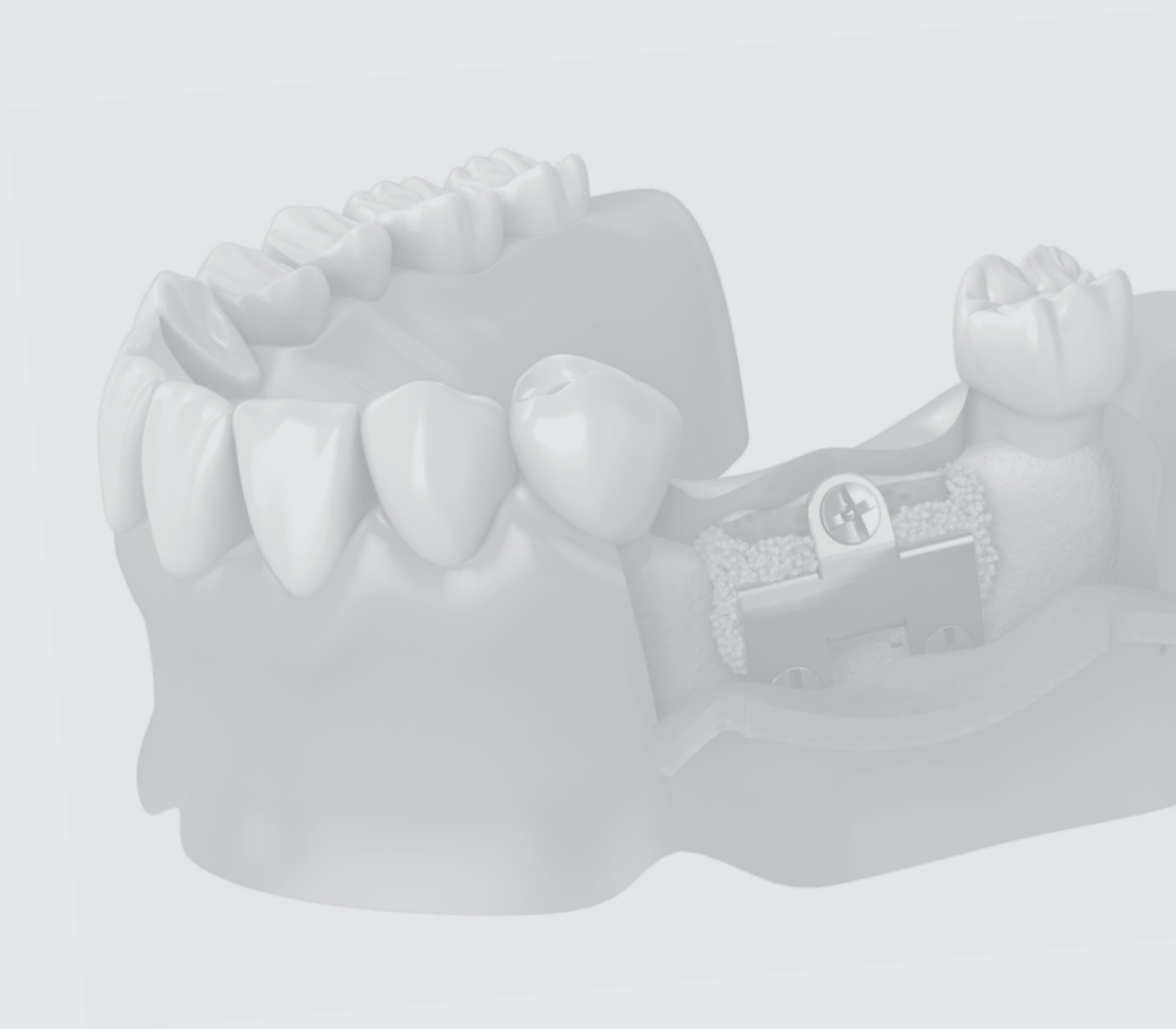


GSM 10 20

GSM 15 20

GSM 20 30

Surgical Manual - GBR Plate



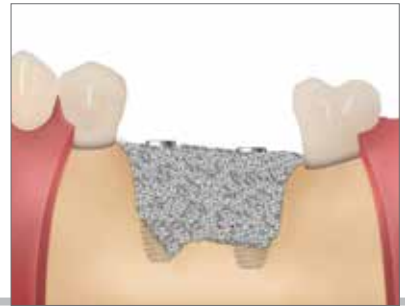
OSTEON™ II Collagen + GBR Plate(Straight)



GBR Abutment Connection
SuperLine : FX4510SE



Application of graft material
OSTEON™ II



Application of Plate
0.3mm thickness / 18.0mm length plate



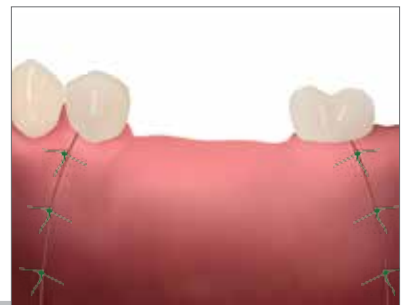
Application of Plate
Plate with Membrane screw



Application of Plate
Plate with Membrane screw



Application of Collagen Membrane
Membrane with pin



Suture

OSTEON™ II + OSTEON™ II Collagen + GBR Plate(Mandibular Total Osteotomy)



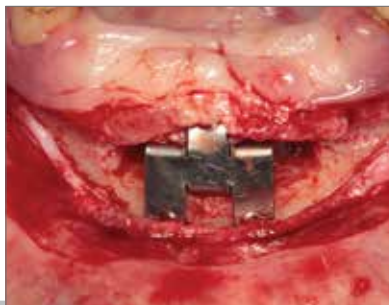
Pre-op



Incision



Osteotomy



Application of GBR Plate
MTO Plate (Mandibular Total Osteotomy)



Application of graft material
OSTEON™ II



Application of graft material
OSTEON™ II Collagen



Suture



Post-op

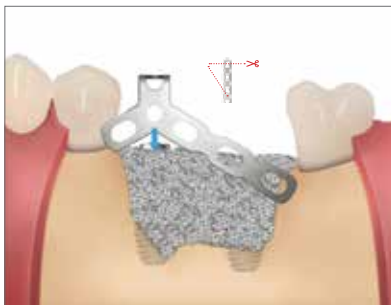
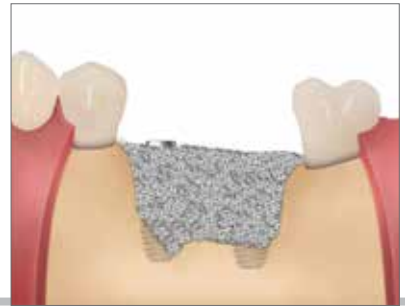
OSTEON™ II Collagen + GBR Plate(Tripod -Groove)



GBR Abutment Connection
SuperLine : FX4510SE



Application of graft material
OSTEON™ II



Application of Plate
0.3mm thickness/Cut-out Tripod-Groove plate



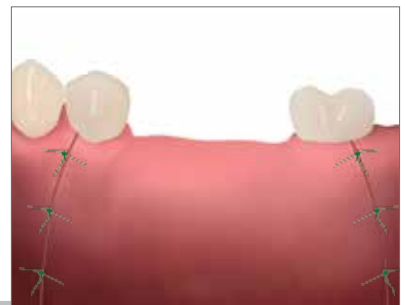
Application of Plate
Plate with Membrane screw



Application of Plate
Plate with Membrane screw



Application of Collagen Membrane
Membrane with screw



Suture

Dentium
For Dentists By Dentists

GBR System

Product Catalog & Surgical Manual

Dentium
For Dentists By Dentists

Specifications are subject to change without prior notice.

Some products that are to be launched in the market after necessary approvals are also listed in this catalog.

HEAD OFFICE

3105 Trade Tower, 513 Yeongdong-daero, Gangnam-gu, Seoul, Korea 135-731 T +82-2-501-8560 F +82-2-567-9578

HOME PAGE

www.dentium.com

GSPS-1304 [Rev.1]